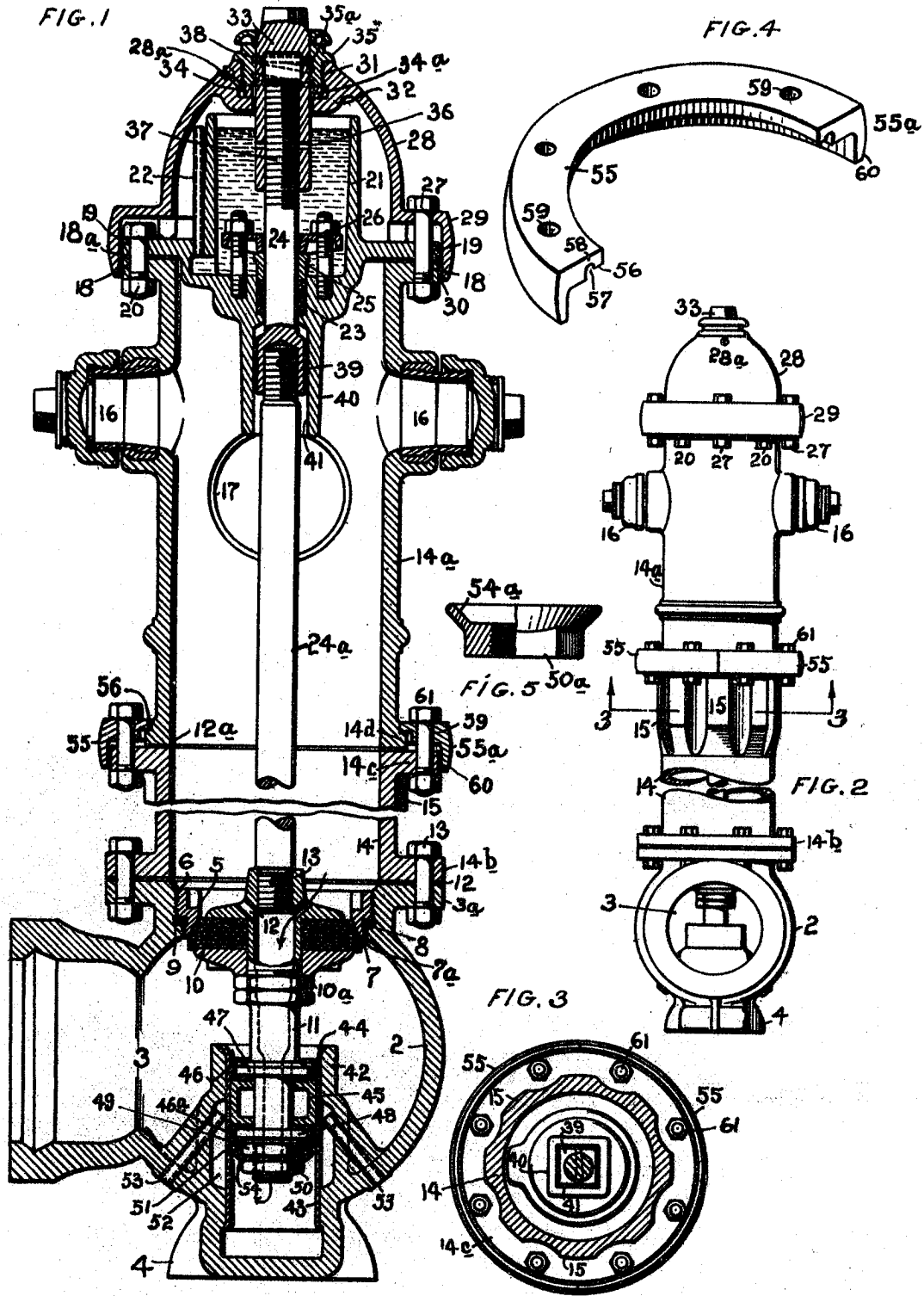


201

365232



Certified to be the drawings referred to
 in the specification hereunto annexed.
 Toronto, January 23rd 1936.

INVENTOR

Herbert M. Lofton

J. H. Deane

ATTORNEY